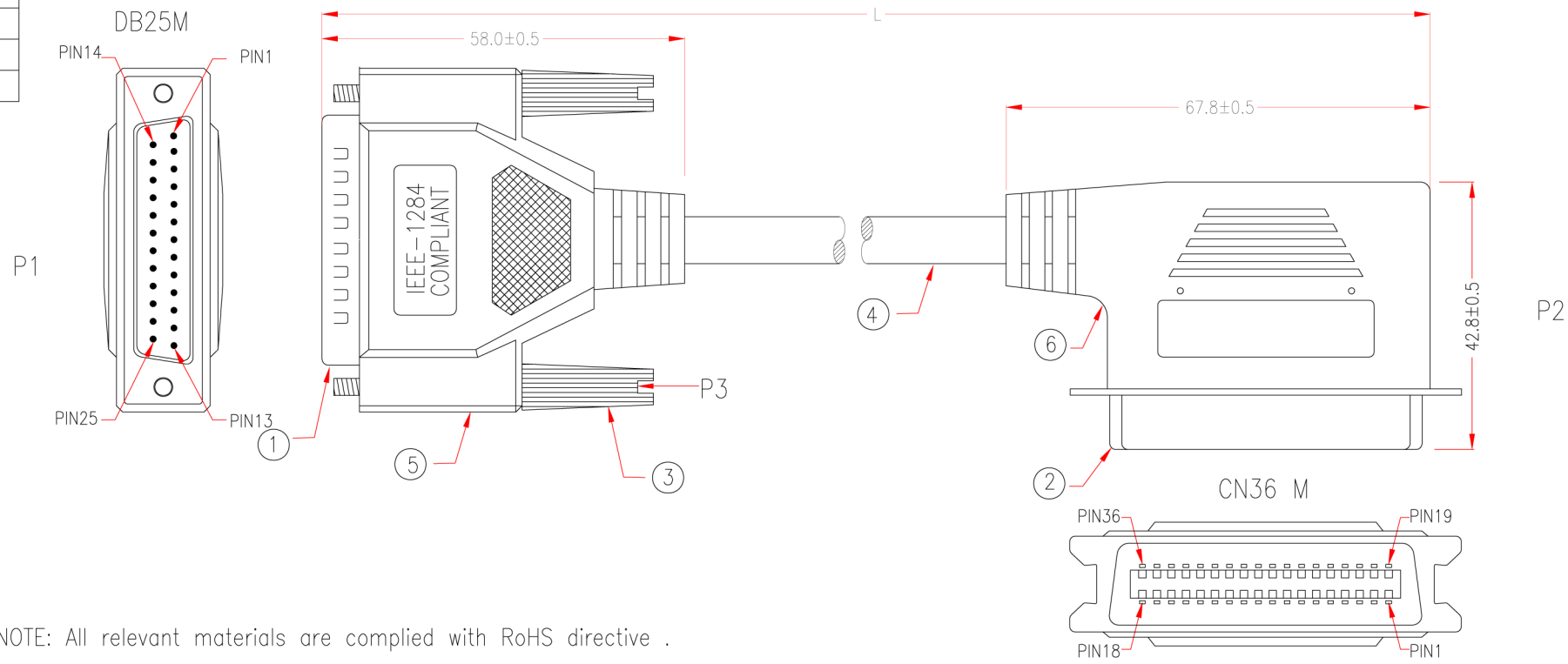


P1:	M-Y222A
	M-222A
P2:	M-Y237A
	M-237A
P3:	M-426E



NOTE: All relevant materials are complied with RoHS directive .

3020-5			
P1	P2	P1	P2
1	1 BLACK	10	10 PINK
18	19 BLACK/WHITE	24	28 PINK/BLACK
2	2 BROWN	11	11 LIGHT BLUE
19	20 BROWN/WHITE	23	29 LIGHT BLUE/BLACK
3	3 RED	12	12 LIGHT GREEN
19	21 RED/WHITE	24	28 LIGHT GREEN/BLACK
4	4 ORANGE	13	13 PINK/RED
20	22 ORANGE/BLACK	24	28 PINK/WHITE
5	5 YELLOW	14	14 ORANGE/WHITE
20	23 YELLOW/BLACK	25	30 ORANGE/RED
6	6 GREEN	15	32 LIGHT GREEN/WHITE
21	24 GREEN/WHITE	23	29 LIGHT GREEN/RED
7	7 BLUE	16	31 LIGHT BLUE/WHITE
21	25 BLUE/WHITE	25	30 LIGHT BLUE/RED
8	8 PURPLE	17	36 BLACK/RED
22	26 PURPLE/WHITE	25	30 BROWN/RED
9	9 GRAY	CUT	CUT WHITE/BLACK
22	27 GRAY/BLACK	CUT	CUT WHITE/RED
		SHIELD	SHIELD

No.	DESCRIPTION	Q'TY	Supplier
6	PVC BLACK TUBE ϕ 3.0*32mm	1	M304
	ALUMINUM FOIL 33*130mm	1	M579
	MOLDED PE COLOR TRNSPARENT		M280
	MOLDED PVC BEIGE		M304
5	PVC BLACK TUBE ϕ 3.0*30mm	1	M304
	ALUMINUM FOIL 33*110mm	1	M579
	MOLDED PE COLOR TRANSPARENT		M280
	MOLDED PVC BEIGE		M304
4	UL20276 IEEE 1284 CABLE, 18 TWISTED PAIRS 28AWG, ALUM-MYLAR FOIL AND AMA BRAID(64%) SHIELDING WITH DRAIN WIRE, OD 7.5mm, JACKET BEIGE, DRAWING No.EAAB2818P-231	Lmm	M304
3	MOLDED THUMBSCREW #4-40, LENGTH 46.5mm, BEIGE	2	M95
2	CN36 MALE, GOLD FLASH ON CONTACTS, BLUE INSULATOR	1	M108
1	DB25 MALE, GOLD FLASH ON CONTACTS, BLUE INSULATOR	1	M108

APPROVED		25/36AR-X	Cable Length Unless Other Spec. Tolerances: 0 ~200mm ±10mm 201~1000mm ±20mm 1001 ~1500mm ±25mm 1501~2100mm ±30mm 2100M ↑ ±40mm
CHECKED	HU		
DRAWING	XIAO		