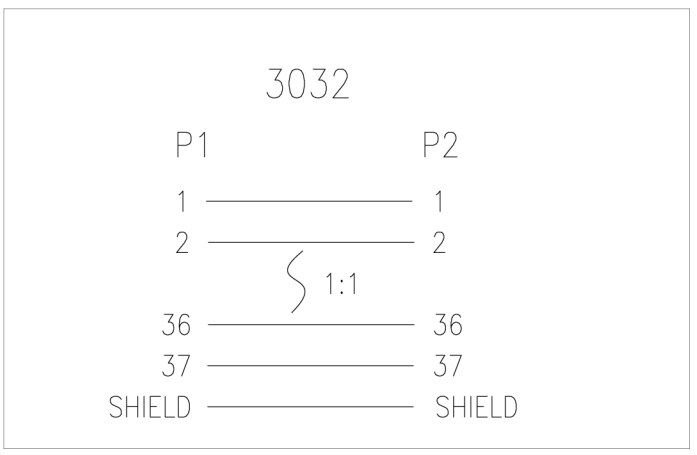
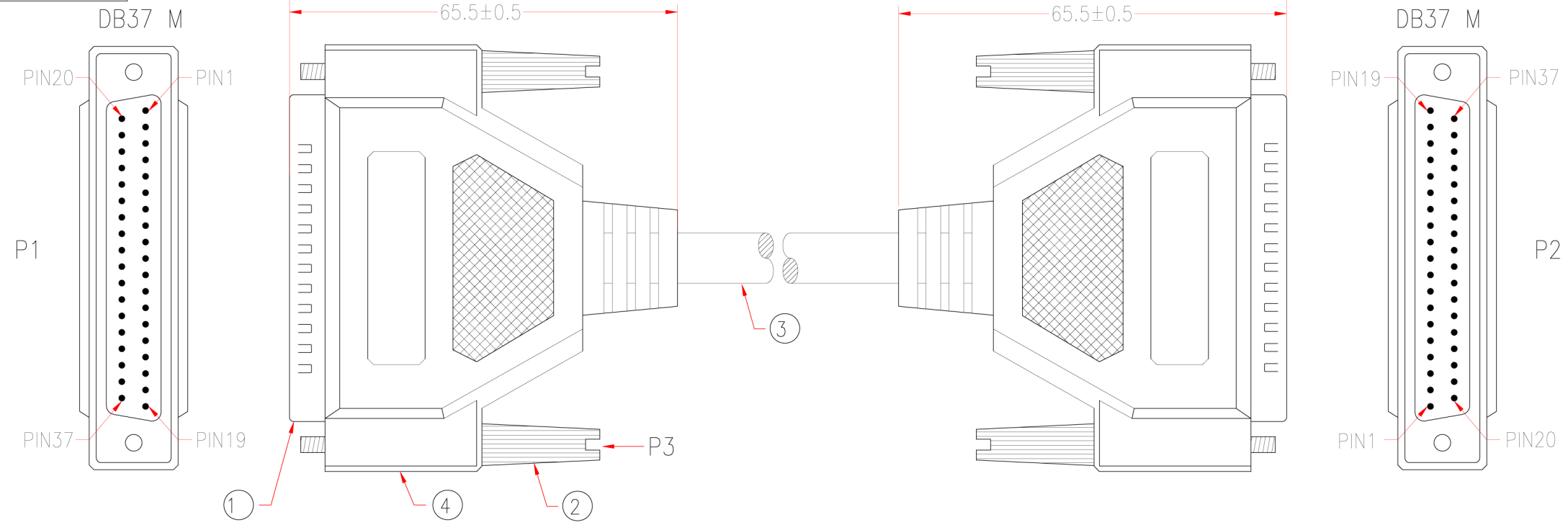


P1,P2: M-Y219A
M-219B
P3: M-426E



*NOTE: All relevant materials are complied with RoHS directive .

4	BLACK PVC TUPE $\phi 3.0 \times 42\text{mm}$	2	M304
	ALUMINUM FOIL 33*110mm	2	M579
	MOLDED PE COLOR TRANSPARENT		M280
	MOLDED PVC BEIGE		M304
3	NON-UL 37C 28AWG, ALUM-MYLAR FOIL SHIELDING WITH DRAIN WIRE, OD 8.5mm, JACKET BEIGE, DRAWING No.EMAL2837C-104	L-20mm	M304
2	MOLDED SCREW #4-40, LENGTH 46.5mm, BEIGE	4	M95
1	DB37 MALE, GOLD FLASH ON CONTACTS, BLUE INSULATOR	2	M108
No.	DESCRIPTION	Q'TY	Supplier

APPROVED			Cable Length Unless Other Spec.	
CHECKED	HU		Tolerances:	
DRAWING	JIANG		0 ~200mm	±10mm
			201~1000mm	±20mm
		1001 ~1500mm	±25mm	
		1501~2100mm	±30mm	
		2100mm↑	±40mm	