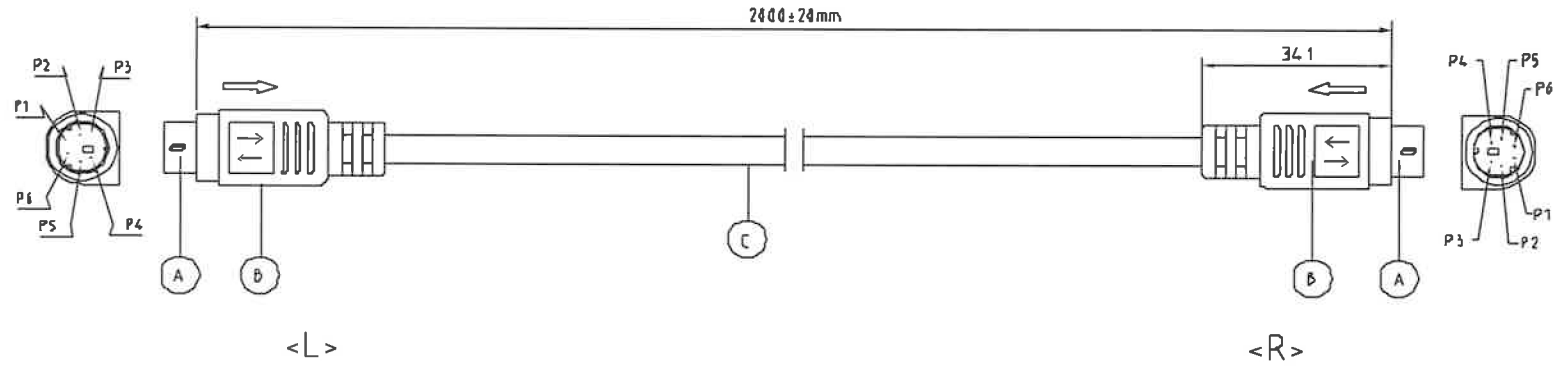


REV.	DATE	FILE No.
1.0	2007-2-7	CC325-MM-2M



WIRING DIAGRAM
 6 DIN PLUG(L) 6 DIN PLUG(R)
 1-----1
 2-----2
 3-----3
 4-----4
 5-----5
 6-----6
 SHELL-----SHELL

SPECIFICATION.

ITEM	PART NAME	MATERIAL	COLOR	QTY
A	Y/D286 6 PIN MINI DIN PLUG	P B	NICKEL	2
B	MODEL TY-22B TYPE	P V C	GREY	2
C	CABLE Ø 12/7TX6C-1 12/7T+ALIX1C #5MM	P V C	GREY	2M

NOTE: ALL MATERIALS ARE ROHS.

CUSTOMER DIGGELMANN		Tai Yip Electrical Co., Ltd
CUST P/N CC325-MM-2M/GY-R		
S/D	S/N	PART No. CC325-MM-2M/GY-R
DRAWING No.		PART NAME 606M-MKEYBOARD EXT STRAIGHT FOR PS/2
DRAWING BY	LingDiM	UNLESS OTHERWISE SPECIFIED ALL DIMENSIONS ARE IN MM TOLERANCE: DECIMAL X ±0.1 XX ±0.05 ANGLE ±1/2°
CHECKED BY	WenZhanZ	
APPROVER BY	WenZhanZ	
		SHEET 1 OF 1
		SCALE MD