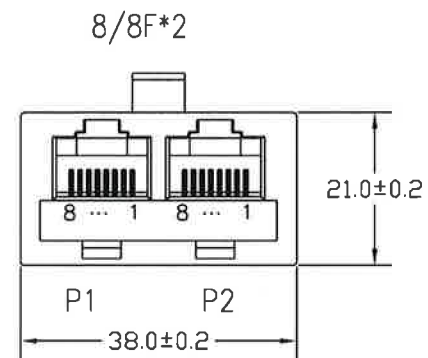
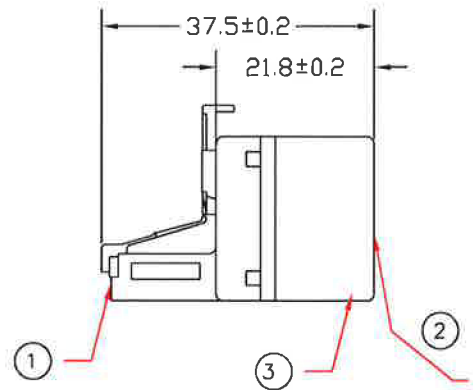
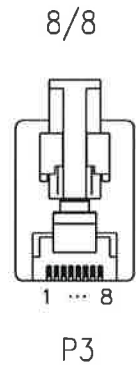


REVISIONS				
ZONE	REV	DESCRIPTION	DATE	APPROVED
A		New Release	05/20/03	H.T.



P1	P2	P3	
1 _____	1 _____	1 _____	BLACK
2 _____	2 _____	2 _____	YELLOW
3 _____	3 _____	3 _____	BLUE
4 _____	4 _____	4 _____	RED
5 _____	5 _____	5 _____	GREEN
6 _____	6 _____	6 _____	ORANGE
7 _____	7 _____	7 _____	BROWN
8 _____	8 _____	8 _____	WHITE

ITEM NO.	MATERIAL / SPECIFICATION	QTY REQD	UNIT
3.	PLASTIC HOOD BEIGE	1	PCS.
2.	8P8C FEMALE, GOLD PLATING ON CONTACTS	2	PCS.
1.	8P8C PLUG, GOLD PLATING ON CONTACTS	1	PCS.

CABLE ASSEMBLY PARTS LIST

UNLESS OTHERWISE SPECIFIED: 1. DIMENSIONS ARE IN INCHES 2. TOLERANCES: DECIMALS X.DI 20 25 3. DO NOT SCALE DRAWING 4. REMOVE ALL BURRS AND BREAK SHARP EDGES. PROPRIETARY DOCUMENT THIS DRAWING AND/OR INFORMATION OR SUBJECT MATTER CONTAINED HEREIN, SHALL NOT BE USED, COPIED OR DISSEMINATED IN ANY MANNER, OR FOR ANY PURPOSE, EXCEPT AS EXPRESSLY AUTHORIZED BY CISCO/TPC Enterprise Corp.	CUSTOMER	TITLE Modular T Adaptor, 1M / 2F			
	CUSTOMER APPROVAL	DRAWN Howie Tseng	DATE 05/20/03	SIZE 68TA-88-M2F	DWG NO. 68TA-88-M2F
CHECKED	SCALE NONE	Release Date 05/20/03	SHEET 1	OF 1	REV A

FNAME

REVDATE

USER

D  
C  
B  
A

D  
C  
B  
A

4 3 2 1

4 3 2 1