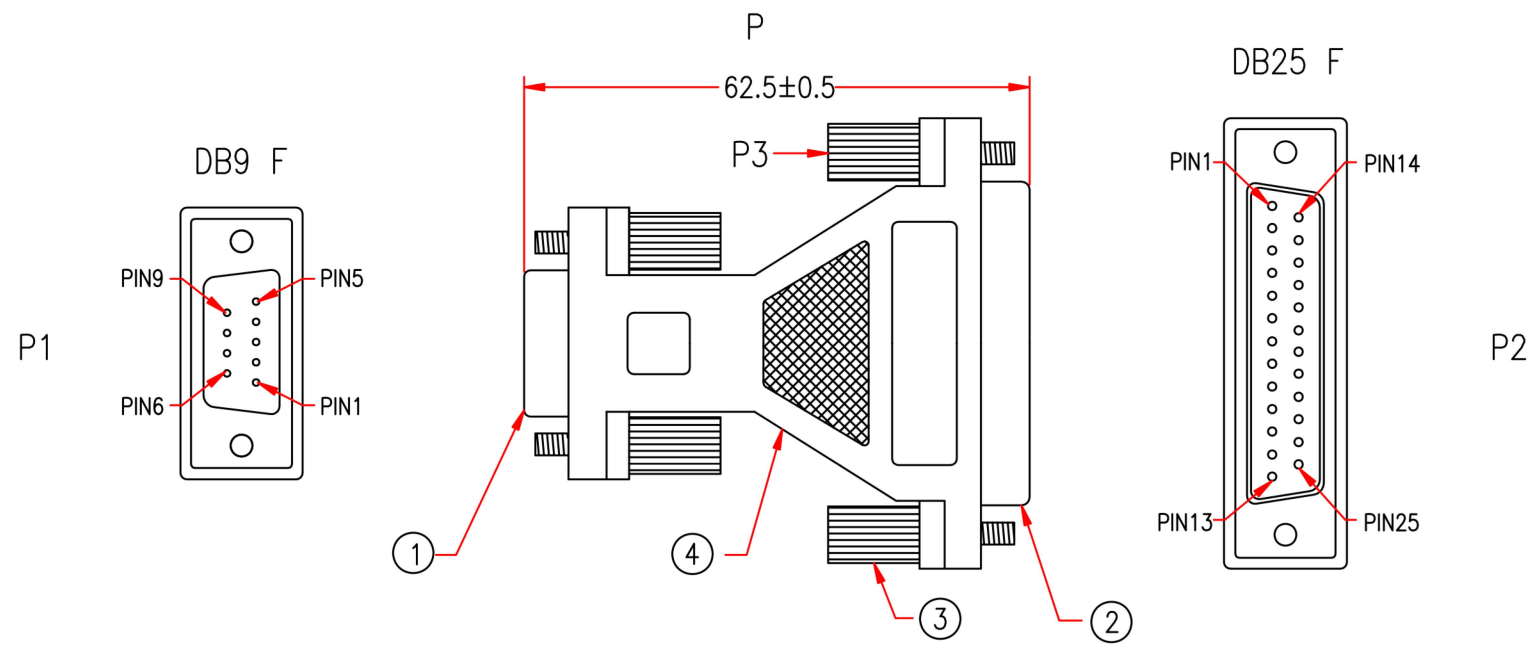


P: M-Y417B
M-417A
P3: M-427B

Customer No:



4028		
P1		P2
1	—————	8
2	—————	3
3	—————	2
4	—————	20
5	—————	7
6	—————	6
7	—————	4
8	—————	5
9	—————	22
SHIELD	—————	SHIELD

*NOTE: All relevant materials are complied with RoHS directive .

4	Jumper Wire UL1061/26#/1C, OD1.0mm, COLOR RED*9PCS, LENGHT 47mm, GREEN*1PC, LENGHT 55mm, DRAWING NO. EH002601C-013	H5SE06-0304	10	M304
	MOLDED PE COLOR TRANSPARENT	A5BA02-7777		M7777
	MOLDED PVC BEIGE	H1BF01-0304B01		M304
3	MOLDED THUMBSCREW #4-40, LENGTH 21.5mm, BEIGE	A6AA09-0095	4	M95
2	DB25 FEMALE, GOLD FLASH ON CONTACTS, BLUE INSULATOR	A1AE01-0277U09	1	M277
1	DB9 FEMALE, GOLD FLASH ON CONTACTS, BLUE INSULATOR	A1AA01-0277U09	1	M277
No.	DESCRIPTION		Q'TY	Supplier

APPROVED		A9/25FF	Cable Length Unless Other Spec. Tolerances: 0 ~200mm ±10mm 201~1000mm ±20mm 1001 ~1500mm ±25mm 1501~2100mm ±30mm 2100mm↑ ±40mm
CHECKED	HU		
DRAWING	XIAO		

DATE	05/JUL/19	ITEM NO.		UNIT:mm	
------	-----------	----------	--	---------	--