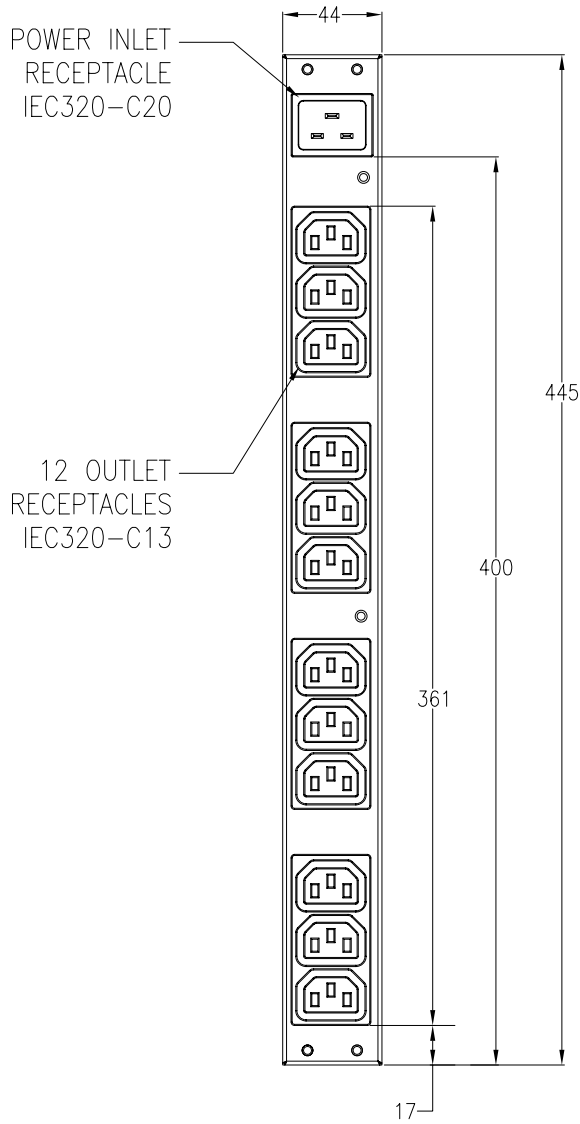
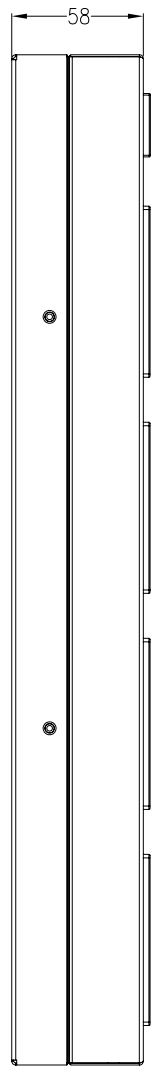


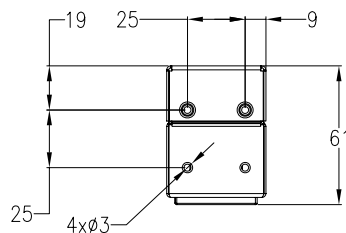
ISOMETRIC VIEW



FRONT VIEW



SIDE VIEW



TOP VIEW

NOTES:

1. ALL DIMENSIONS ARE IN MILLIMETERS.
2. NET WEIGHT IS 2.05 kg.
3. LENGTH OF THE CORD IS 2500 mm.
4. SHIPPED WITH TWO DIFFERENT SETS OF MOUNTING BRACKETS (FOR HORIZONTAL & VERTICAL MOUNTING).
5. INSTALLATION MUST COMPLY WITH ALL APPLICABLE NATIONAL AND LOCAL ELECTRICAL REGULATIONS.

THIS DRAWING AND SPECIFICATIONS HEREIN ARE THE PROPERTY OF AMERICAN POWER CONVERSION AND SHALL NOT BE COPIED, REPRODUCED OR USED IN WHOLE OR IN PART, AS THE BASIS FOR THE MANUFACTURE OR SALE OF ITEMS WITHOUT WRITTEN PERMISSION FROM APC. THIS DRAWING IS BASED UPON LATEST AVAILABLE INFORMATION AND IS SUBJECT TO CHANGE WITHOUT NOTICE.



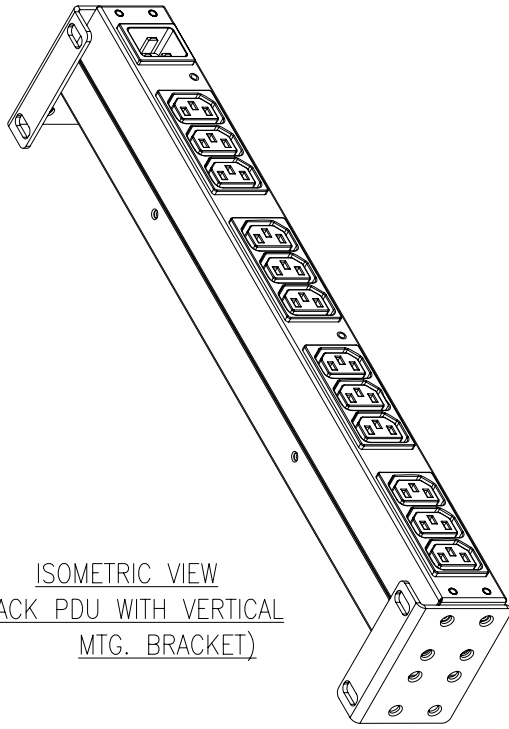
TITLE:
RACK PDU, BASIC
1U, 16A, 208V/230V, INPUT: IEC320-C20
OUTPUT: (12) IEC320-C13
MAIN MECHANICAL

PROJECT: SUBMITTAL DRAWINGS SHEET 1 OF 2

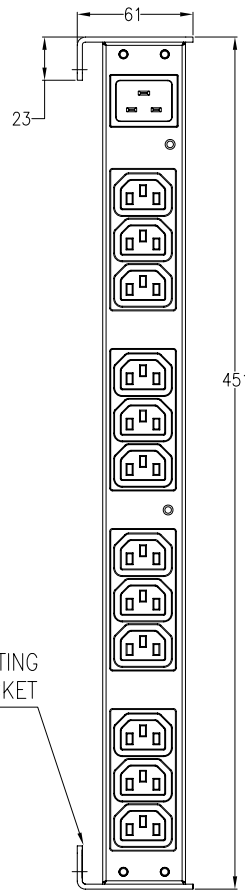
DWG NO:	AP9565	REV:	0
DRAWN:	JAYAPRAKASH	11-FEB-08	FIRST ANGLE PROJECTION
ENGINEER:	T.HORSTMANN	20-FEB-08	
APPROVED:	C.LARSEN/S.WAGH	20-FEB-08	

OPTION-1: VERTICAL MOUNTING

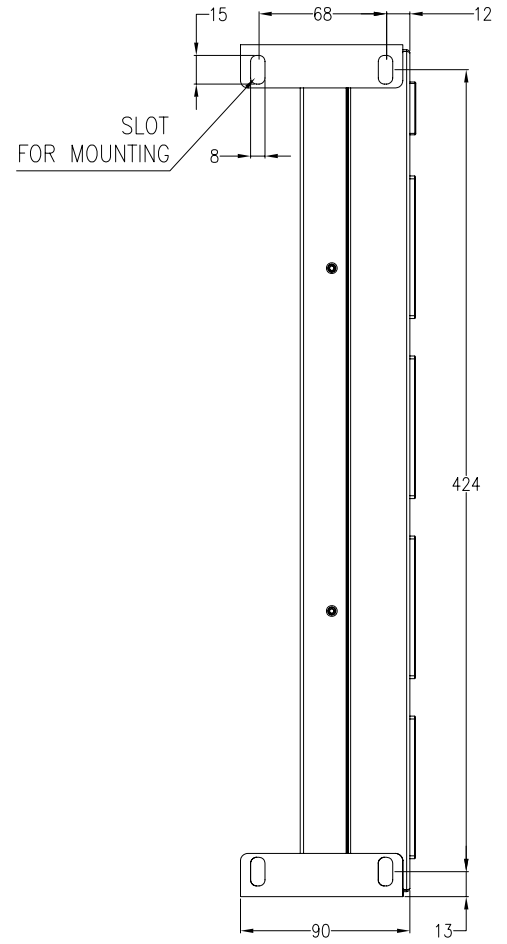
ISOMETRIC VIEW
(RACK PDU WITH VERTICAL
MTG. BRACKET)



MOUNTING
BRACKET



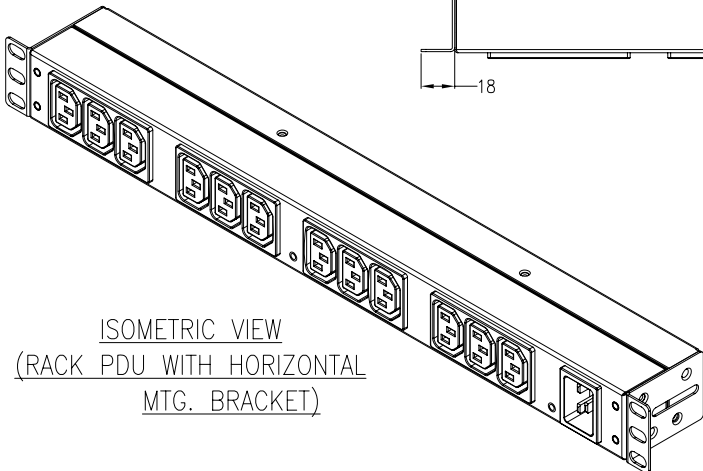
FRONT VIEW



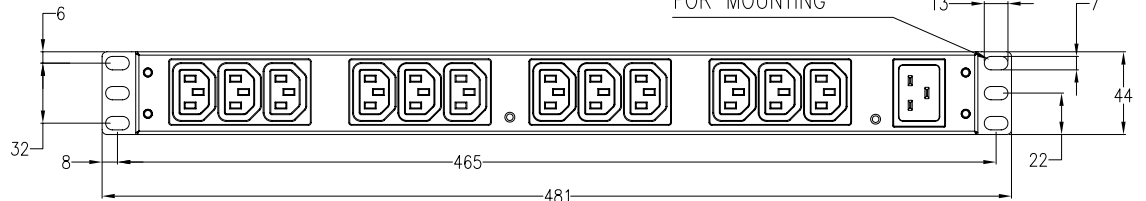
SIDE VIEW

OPTION-2: HORIZONTAL MOUNTING

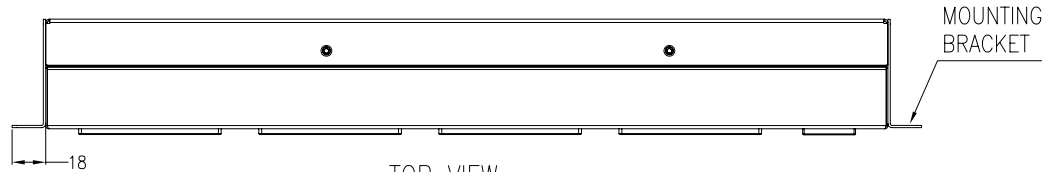
ISOMETRIC VIEW
(RACK PDU WITH HORIZONTAL
MTG. BRACKET)



SLOT
FOR MOUNTING



FRONT VIEW



TOP VIEW

MOUNTING
BRACKET

NOTES:

1. ALL DIMENSIONS ARE IN MILLIMETERS.
2. INSTALLATION MUST COMPLY WITH ALL APPLICABLE NATIONAL AND LOCAL ELECTRICAL REGULATIONS.

THIS DRAWING AND SPECIFICATIONS HEREIN ARE THE PROPERTY OF AMERICAN POWER CONVERSION AND SHALL NOT BE COPIED, REPRODUCED OR USED IN WHOLE OR IN PART, AS THE BASIS FOR THE MANUFACTURE OR SALE OF ITEMS WITHOUT WRITTEN PERMISSION FROM APC. THIS DRAWING IS BASED UPON LATEST AVAILABLE INFORMATION AND IS SUBJECT TO CHANGE WITHOUT NOTICE.



TITLE:
RACK PDU, BASIC
1U, 16A, 208V/230V, INPUT: IEC320-C20
OUTPUT: (12) IEC320-C13
MOUNTING DETAILS

DWG NO:	AP9565	REV:	0
DRAWN:	JAYAPRAKASH	11-FEB-08	FIRST
ENGINEER:	T.HORSTMANN	20-FEB-08	ANGLE
APPROVED:	C.LARSEN/S.WAGH	20-FEB-08	PROJECTION

PROJECT: SUBMITTAL DRAWINGS | SHEET 2 OF 2