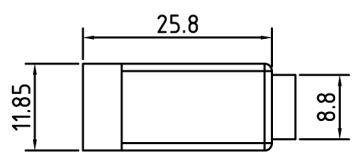
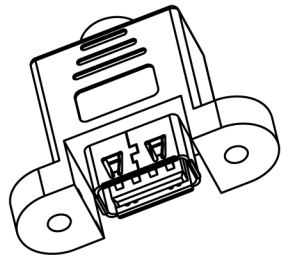
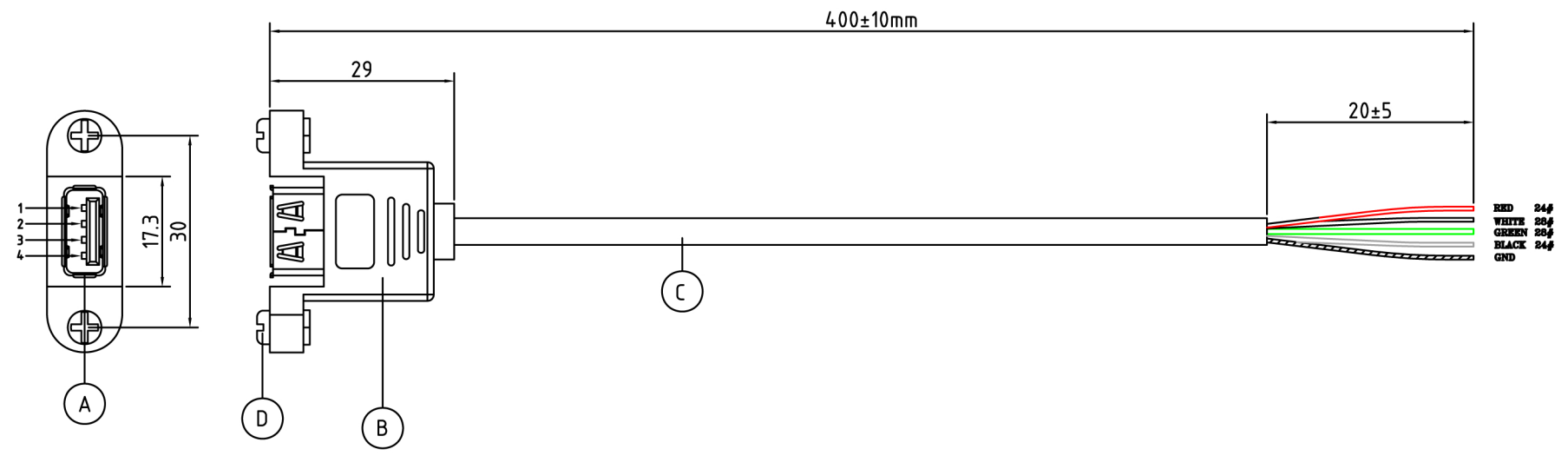


REV.	DATE	FILE No.
1.0	2007-8-7	CC494-0.4M BE





**WIRING DIAGRAM**

USB A-FEMALE	COLOR		
1	RED	24#	
2	WHITE	28#	
3	GREEN	28#	
4	BLACK	24#	
SHELL	GND		

**SPECIFICATION:**

ITEM	PART NAME	MATERIAL	COLOR	Q.TY.
A	USB FEMALE (A-TYPE) HOUSING	P.B.	NICKEL	1SET.
B	MODEL TY-428 TYPE	P.V.C	BE	1
C	UL2725(2.0)BEB 1P×28+2C×24#+1+B(65%)X1C Ø4.7	P.V.C	BE	0.4M
D	HN050X030TNOPOOA SCREW PS055X070TNO P+A NUT	MILD STEEL	NICKEL	2SET.

CUSTOMER: DIGGELMANN			
CUST P/N: CA940-40			
S/O:	S/N:	PART No.: CA940-04	
DRAWING No.		PART NAME: USB(A-TYPE) FEMALE TO CUT OFF END	
DRAWING BY	LingQi.M	UNLESS OTHERWISE SPECIFIED ALL DIMENSIONS ARE IN MM TOLERANCE:DECIMAL .X ±0.1 .XX ±0.05 ANGLE ±1/2°	 
CHECKED BY	WenZhan.Z		
APPROVER BY	WenZhan.Z		
		SHEET 1 OF 1	SCALE NO