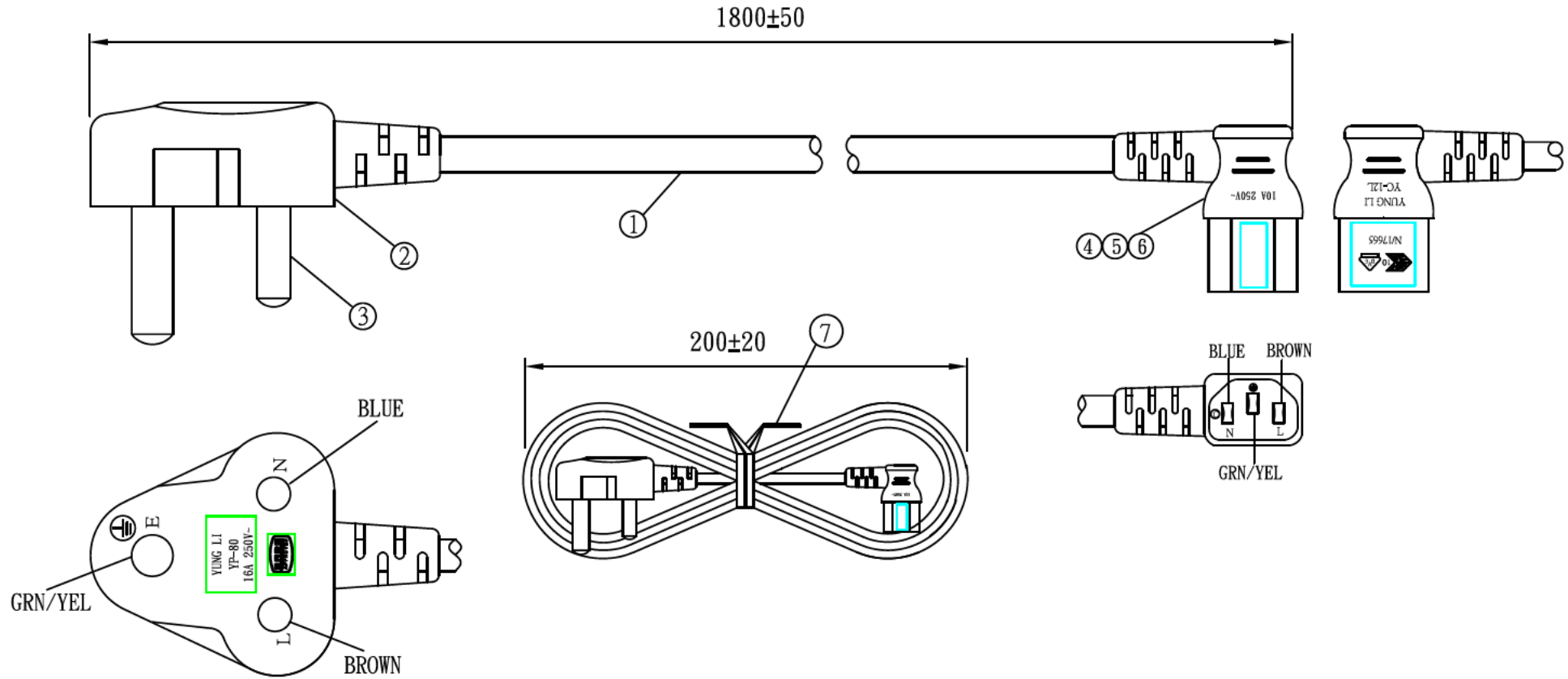




N/17665



NO.	SPECIFICATION	Q' TY	REMARK
1	H05VV-F 0.75/3G BLACK	1PC	
2	YP-80 PVC PLASTIC:50P BLACK	50g/PC	
3	3Pin South Africa plug inner model	1PC	
4	TER:99740	3PCS	
5	YC-12L INNER BODY	1PC	
6	YC-12L PVC PLASTIC:50P BLACK	18g/PC	
7	MINI TIE:L=130mm BLACK	1PC	

TOLERANCE >0±0.30 >1.0±0.50 >10.0±1.0 >20.0±2.0 Angle: ±1°	APPROVED	DATE	YUNG LI CO., LTD.				
	CHECKED	DATE					
	DRAWN	Melon	DATE	16.06.14	CUSTOMER		
	TYPE	YP-80/YC-12L		P/N			
DRAWING NO.		REV	B	MATERIAL	P. V. C	UNIT	mm
				HEFT(g)			