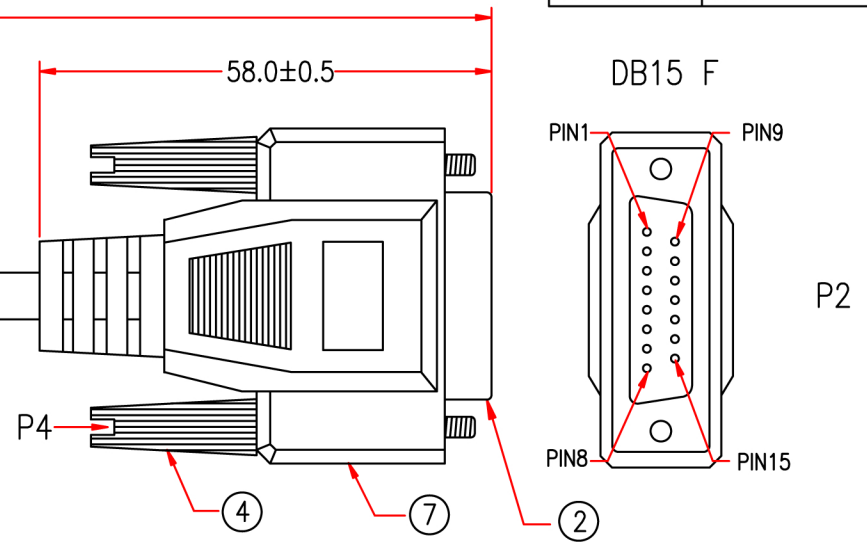
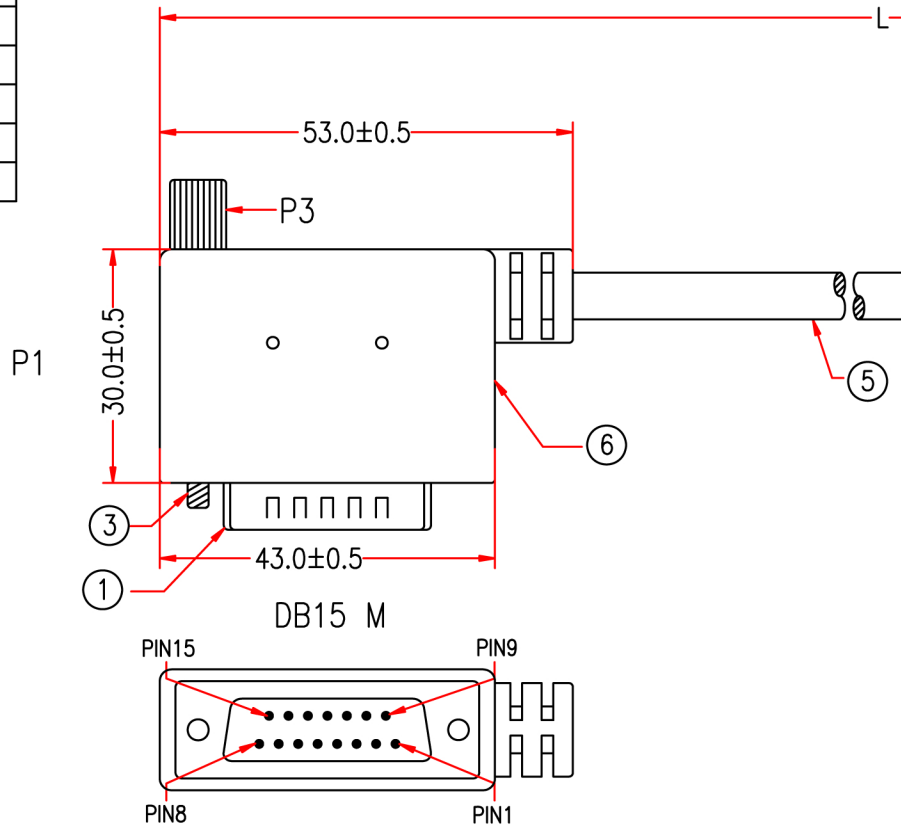


P1:	M-Y1405A
	M-1405A
P2:	M-Y127A
	M-127B
P3:	M-494A
P4:	M-426E



MARKING: E300060 兄 AWM 2464 28AWG 80°C 300V VW-1
 CSA 204790 I/II A 80°C 300V FT1 MSL

*NOTE: ALL relevant materials are complied with RoHS directive

1050-20

P1	P2	P1	P2
1	1 BROWN	10	10 PINK
2	2 RED	11	11 LIGHT GREEN
3	3 ORANGE	12	12 LIGHT BLUE
4	4 YELLOW	13	13 BROWN/BLACK
5	5 GREEN	14	14 RED/BLACK
6	6 BLUE	15	15 BLACK
7	7 PURPLE	SHIELD	SHIELD
8	8 GREY		
9	9 WHITE		

7	PVC BLACK TUBE $\phi 3.0 \times 22\text{mm}$	H7A001-0304K09	1	M304
	ALUMINUM FOIL 33*65mm	A6MA05-0309	1	M309
	MOLDED PE COLOR TRANSPARENT	A5BA02-7777		M7777
	MOLDED PVC BLACK	H1BF01-0304K09		M304
6	PVC BLACK TUBE $\phi 3.0 \times 22\text{mm}$	H7A001-0304K09	1	M304
	ALUMINUM FOIL 33*65mm	A6MA05-0309	1	M309
	MOLDED PE COLOR TRANSPARENT	A5BA02-7777		M7777
	MOLDED PVC BLACK	H1BF01-0304K09		M304
5	UL2464 15C 28AWG, ALUM-MYLAR FOIL SHIELDING WITH DRAIN WIRE, OD 6.0mm, JACKET BLACK, DRAWING No. EMAL2815C-203	H5FL19-0304K09	Lmm	M304
4	MOLDED THUMBSCREW #4-40, LENGTH 46.5mm, BLACK	A6AA30-0095	2	M95
3	MOLDED THUMBSCREW #4-40, LENGTH 42mm, BLACK	A6AA23-0095	1	M95
2	DB15 FEMALE, GOLD FLASH ON CONTACTS, BLUE INSULATOR	A1AB01-0277U09	1	M277
1	DB15 MALE, GOLD FLASH ON CONTACTS, BLUE INSULATOR	A1AB04-0277U09	1	M277

No.	DESCRIPTION		Q'TY	Supplier
APPROVED		DB15/15MAP9F-X	Cable Length Unless Other Spec. Tolerances: 0 ~200mm $\pm 10\text{mm}$ 201~1000mm $\pm 20\text{mm}$ 1001 ~1500mm $\pm 25\text{mm}$ 1501~2100mm $\pm 30\text{mm}$ 2100mm \uparrow $\pm 40\text{mm}$	
CHECKED	HU			
DRAWING	XIAO			
DATE	07/AUG/19	ITEM NO.	1050-20	
CHECKED		UNIT:mm		