

Operation & Assembly Instruction

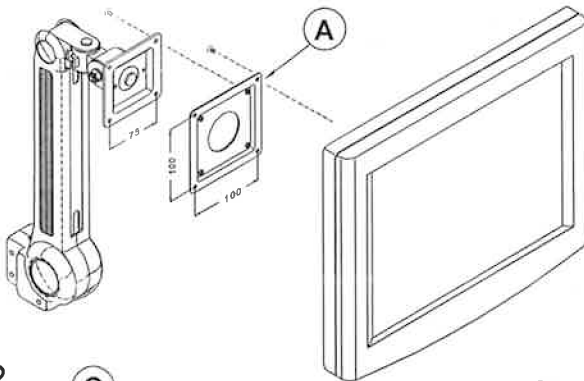
FC-8888 CP

***Fully assembled**

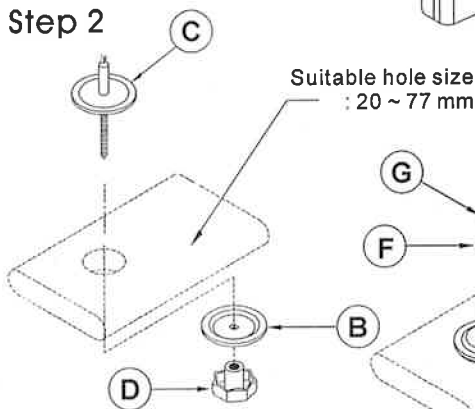
***Includes VESA standards:
75x75 mm and/or 100x100 mm
hole pattern bracket.**

***Installation Methods :**

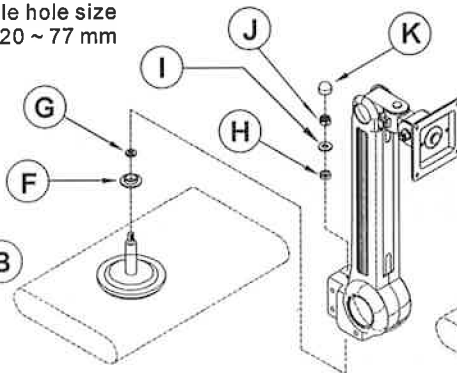
Step 1



Step 2

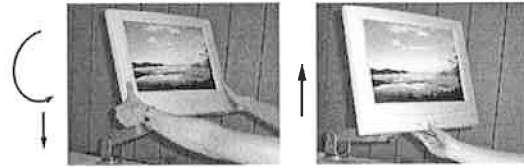


Step 3



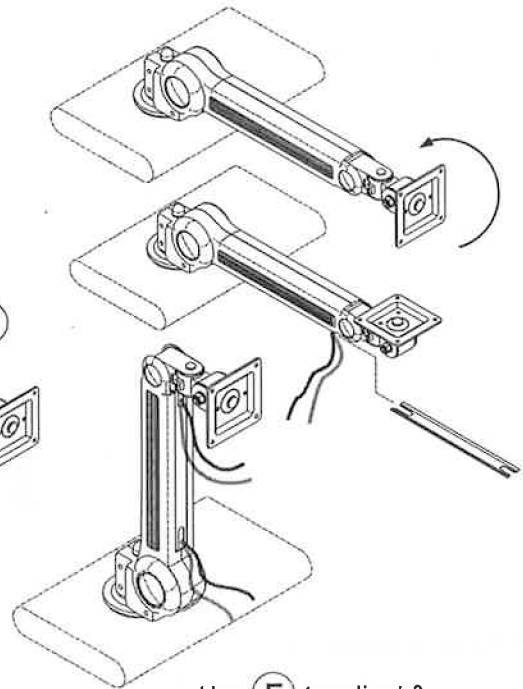
*Operating Skill

Down: Tilt the panel and then pull it down



Up : Lift the panel up directly

- * 1. Lay the arm face down
- 2. Pull the back cover out
- 3. Insert the cable

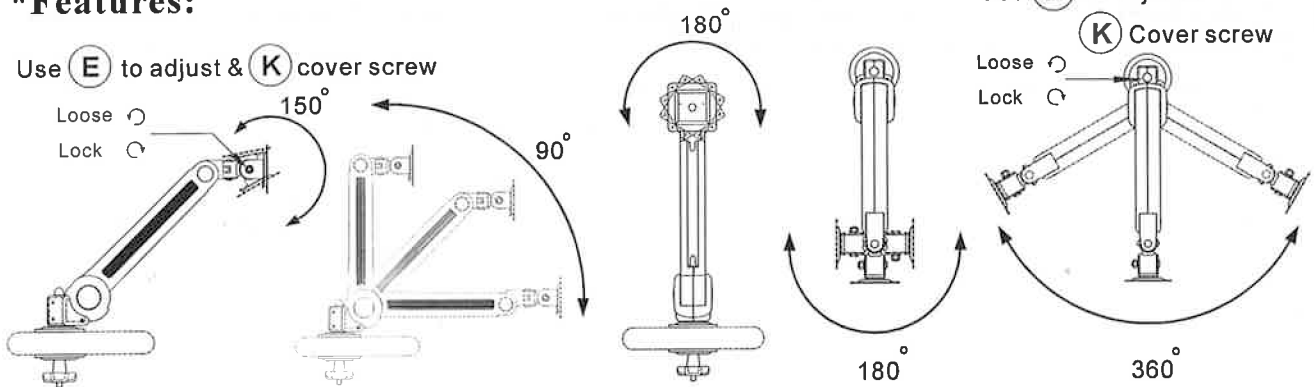


*Features:

Use (E) to adjust & (K) cover screw

Loose

Lock



ITEM	(A)	(B)	(C)	(D)	(E)	(F)	(G)	(H)	(I)	(J)	(K)	(L)	(M)
PARTS													
QTY	1	1	1	1	1	1	1	1	1	1	2	4	4