

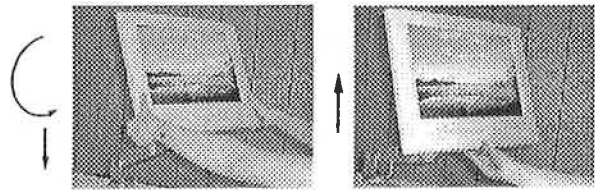
Operation & Assembly Instruction

FC-8888 P

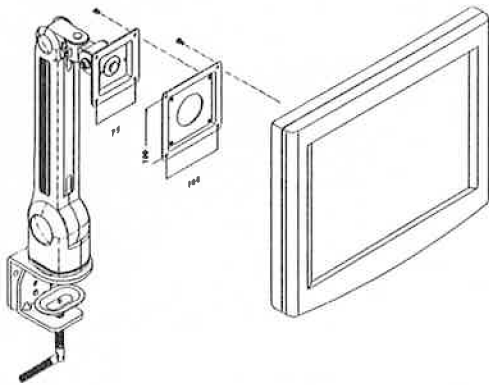
- * Don't worry the arm keep up still. The arm stop anywhere while put panel on it.
- * Fully assembled
- * Includes VESA standards: 75x75 mm and/or 100x100 mm hole pattern bracket.

*Operating Skill

Down: Tilt the panel and then pull it down



Up : Lift the panel up directly



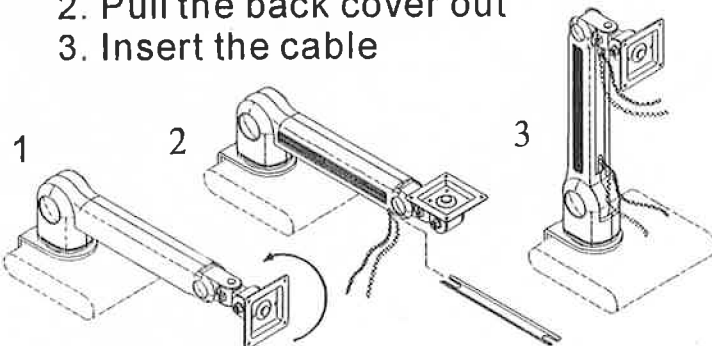
ITEM	(A)	(B)	(C)	(D)	(E)
PARTS					
QTY	1	1	4	4	1

Hint

*How to tighten the screw if the bottom loose

- ① Open the cover
- ② Use spanner to adjust the screw

1. Lay the arm face down
2. Pull the back cover out
3. Insert the cable



*Features:

Use (B) to adjust & (E) cover screw

Loose ○
Lock ○

