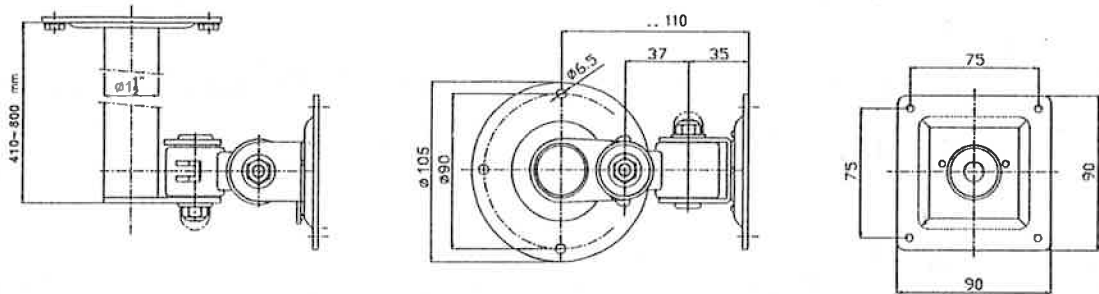


Operation & Assembly Instruction

FC-8888SL

1. Specification

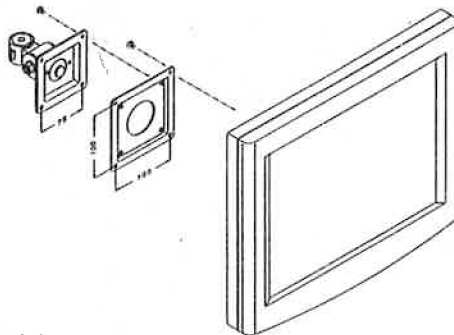


| ITEM | (A) | (B) | (C) | (D) | (E) | (F) | (G) | (H) | (I) |
|-------|-----|-----|-----|-----|-----|-----|-----|-----|-----|
| PARTS | | | | | | | | | |
| QTY | 1 | 1 | 2 | 2 | 1 | 1 | 4 | 4 | 4 |

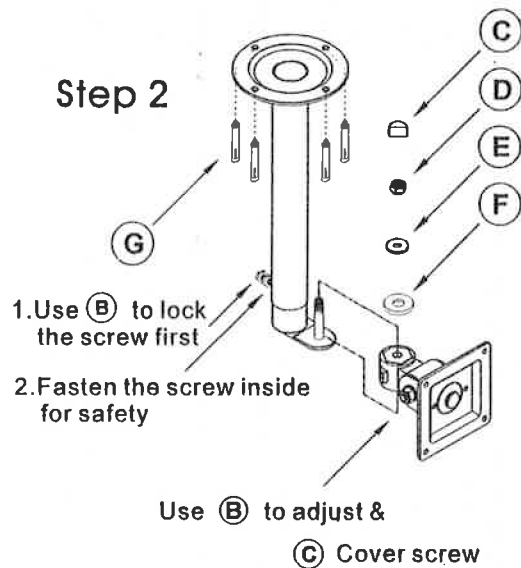
2. Installation Methods

- *Fully assembled
- *Includes VESA standards:
75x75 mm and/or 100x100 mm
hole pattern bracket.
- *Two adjustable screws for safety

Step 1



Step 2



3. Functions

