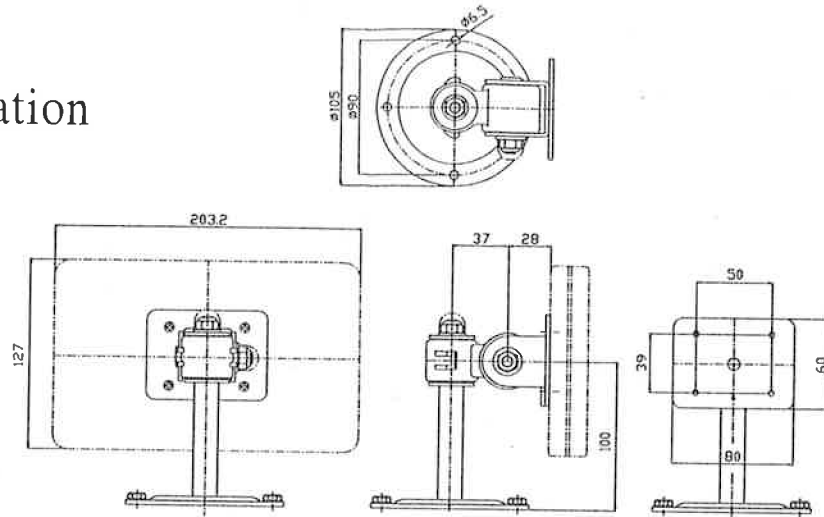


# Operation & Assembly Instruction

## FC-8888SS

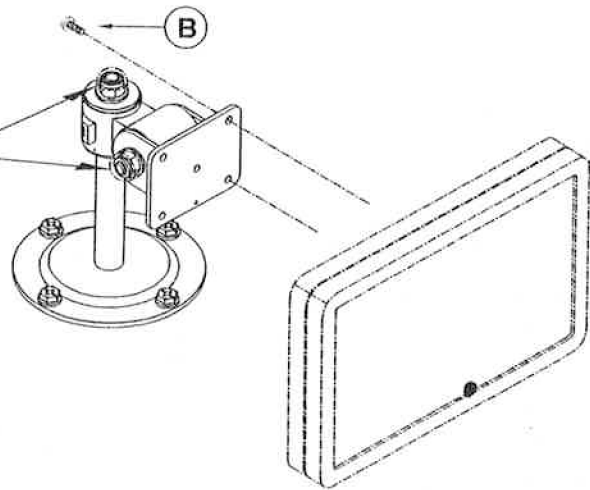
### 1. Specification



### 2. Installation Methods

Use (A) to adjust & (C) cover screw

Loose   
Lock



ITEM	(A)	(B)	(C)	(D)	(E)
PARTS					
QTY	1	4	2	1	1

### 3. Functions

