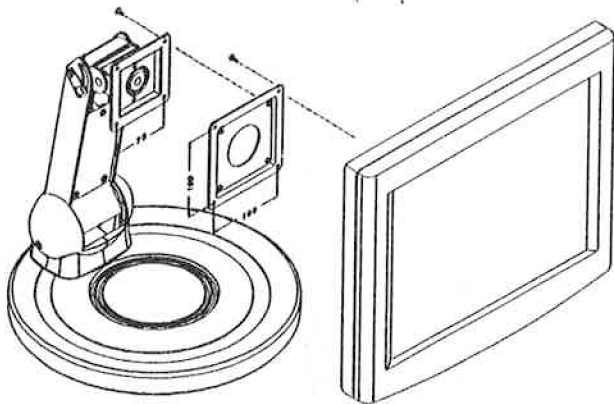


# Operation & Assembly Instruction

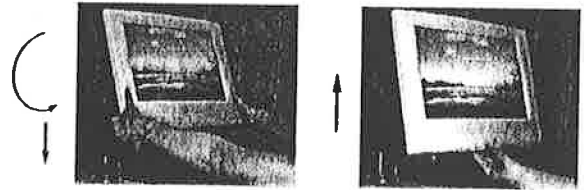
## FC-8888 T

- \*Fully assembled
- \*Includes VESA standards: 75x75 mm and/or 100x100 mm hole pattern bracket.



### \*Operating Skill

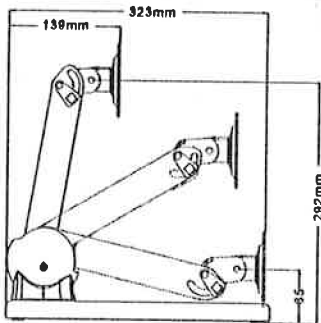
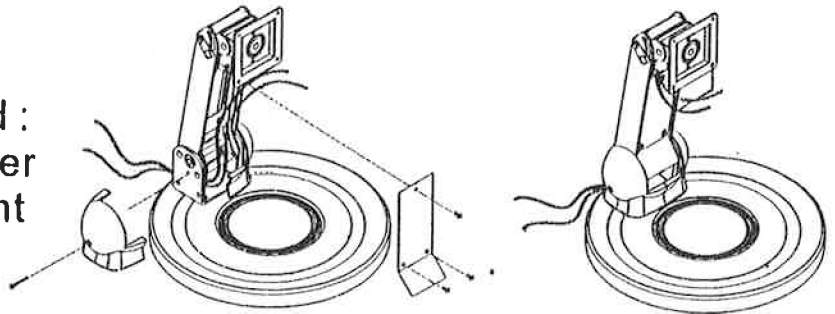
Down: Tilt the panel and then pull it down



Up: Lift the panel up directly

ITEM	(A)	(B)	(C)	(D)
PARTS				
QTY.	1	1	4	4

- \* Insert cable method :  
Take 2 slices of cover away shown as right



1. Pull the arm down the table
2. Lay the panel on the arm
3. Use lock to stabilize the panel
4. Release the nob for adjustable arm



### \*Features:

