

# Operation & Assembly Instruction

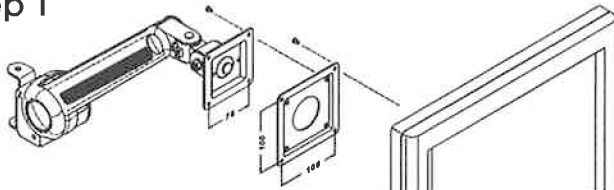
## FC-8888 WP

\*Fully assembled

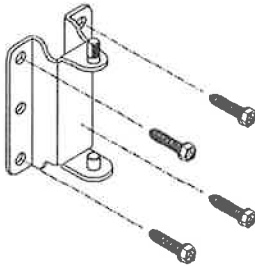
\*Includes VESA standards:  
75x75 mm and/or 100x100 mm  
hole pattern bracket.

\*Installation Methods :

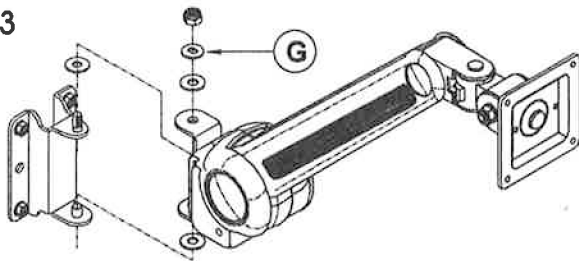
Step 1



Step 2

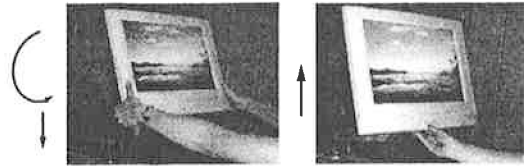


Step 3



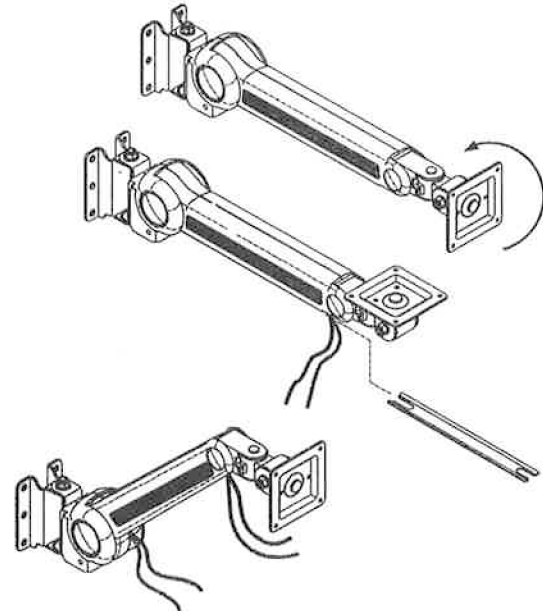
### \*Operating Skill

Down: Tilt the panel and then pull it down



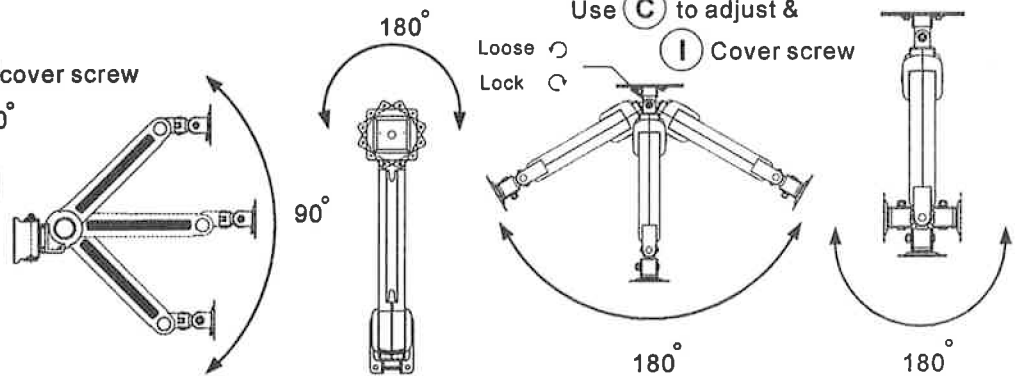
Up : Lift the panel up directly

- \* 1. Lay the arm face down
- 2. Pull the back cover out
- 3. Insert the cable



### \*Features:

Use (C) to adjust & (I) cover screw



ITEM	(A)	(B)	(C)	(D)	(E)	(F)	(G)	(H)	(I)	(J)	(K)
PARTS											
QTY	1	1	1	4	4	1	1	3	2	4	4