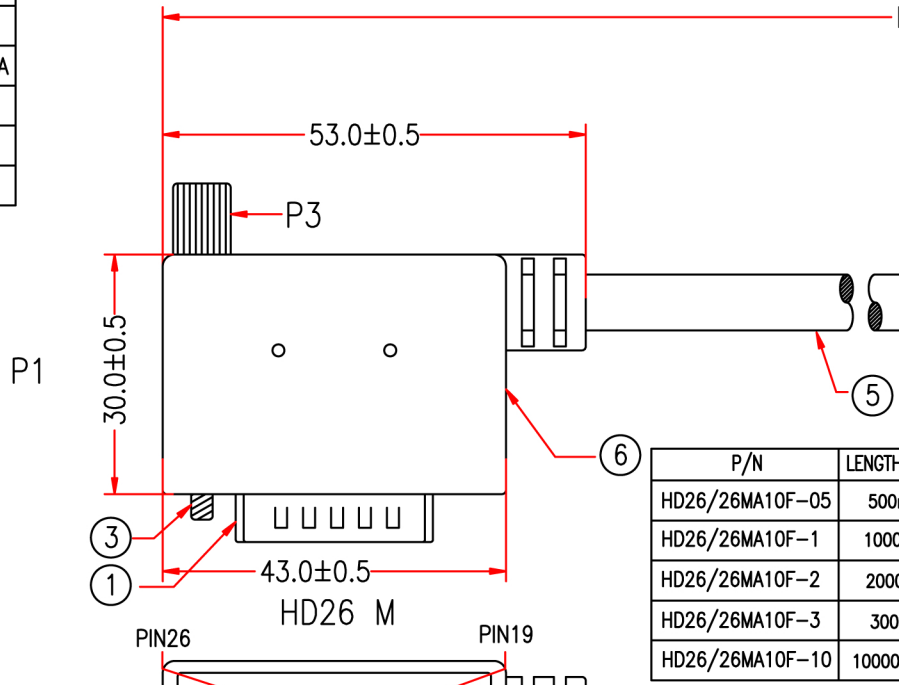
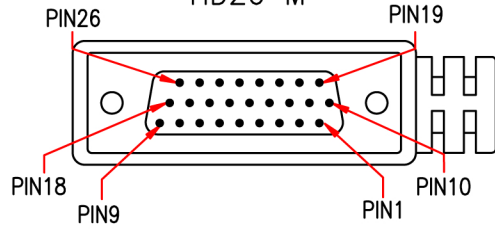
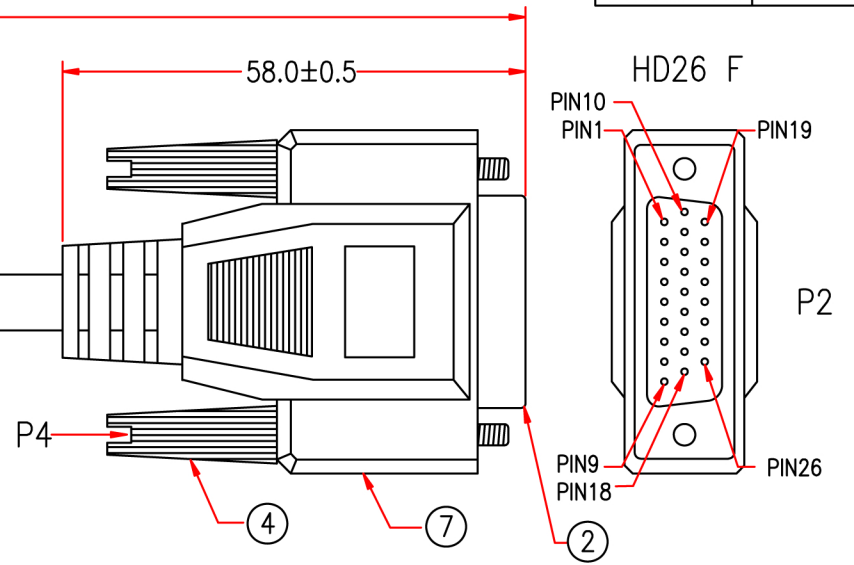


P1:	M-Y127A
	M-127B
P2:	M-Y1405A
	M-1405A
P3:	M-494A
P4:	M-426E



P/N	LENGTH(Lmm)
HD26/26MA10F-05	500mm
HD26/26MA10F-1	1000mm
HD26/26MA10F-2	2000mm
HD26/26MA10F-3	3000mm
HD26/26MA10F-10	10000mm



MARKING: E300060 兪 AWM 2464 28AWG 80°C 300V VW-1

CSA 204790 I/II A 80°C 300V FT1 MSL

*NOTE: ALL relevant materials are complied with RoHS directive

3492-5

P1	P2		P1	P2	
1	1	BROWN	15	15	RED/BLACK
2	2	RED	16	16	ORANGE/BLACK
3	3	ORANGE	17	17	YELLOW/BLACK
4	4	YELLOW	18	18	GREEN/BLACK
5	5	GREEN	19	19	BLUE/BLACK
6	6	BLUE	20	20	PURPLE/BLACK
7	7	PURPLE	21	21	GRAY/BLACK
8	8	GRAY	22	22	WHITE/BLACK
9	9	WHITE	23	23	PINK/BLACK
10	10	PINK	24	24	LIGHT GREEN/BLACK
11	11	BLACK	25	25	LIGHT BLUE/BLACK
12	12	LIGHT GREEN	26	26	BLACK/WHITE
13	13	LIGHT BLUE	SHELD	SHELD	
14	14	BROWN/BLACK			

7	PVC BLACK TUBE $\phi 3.0 \times 22$ mm	H7A001-0304K09	1	M304
	COPPER FOIL 33*65mm	A6LA11-0309	1	M309
	MOLDED PE COLOR TRANSPARENT	A5BA02-7777		M7777
	MOLDED PVC GREY	H1BF01-0304G09		M304
6	PVC BLACK TUBE $\phi 3.0 \times 22$ mm	H7A001-0304K09	1	M304
	COPPER FOIL 33*65mm	A6LA11-0309	1	M309
	MOLDED PE COLOR TRANSPARENT	A5BA02-7777		M7777
	MOLDED PVC GREY	H1BF01-0304G09		M304
5	UL2464 26C 28AWG, ALUM-MYLAR FOIL SHIELDING WITH DRAIN WIRE, OD 7.0mm, JACKET GREY, DRAWING No. EMAL2826C-1436	H5FL90-0304G09	Lmm	M304
4	MOLDED THUMBSCREW #4-40, LENGTH 42mm, GREY	A6AA23-0095	1	M95
3	MOLDED THUMBSCREW #4-40, LENGTH 46.5mm, GREY	A6AA30-0095	2	M95
2	HD26 FEMALE, GOLD FLASH ON CONTACTS, BLUE INSULATOR	A1CC01-0108	1	M108
1	HD26 MALE, GOLD FLASH ON CONTACTS, BLUE INSULATOR	A1CC02-0108	1	M108

No.	DESCRIPTION	Q'TY	Supplier
APPROVED			
CHECKED	HU		
DRAWING	XIAO		
DATE	30/OCT/18	ITEM NO.	HD26/26MA10F-xx

Cable Length Unless Other Spec. Tolerances:

0 ~200mm	±10mm
201~1000mm	±20mm
1001~1500mm	±25mm
1501~2100mm	±30mm
2100mm↑	±40mm

CHECKED

