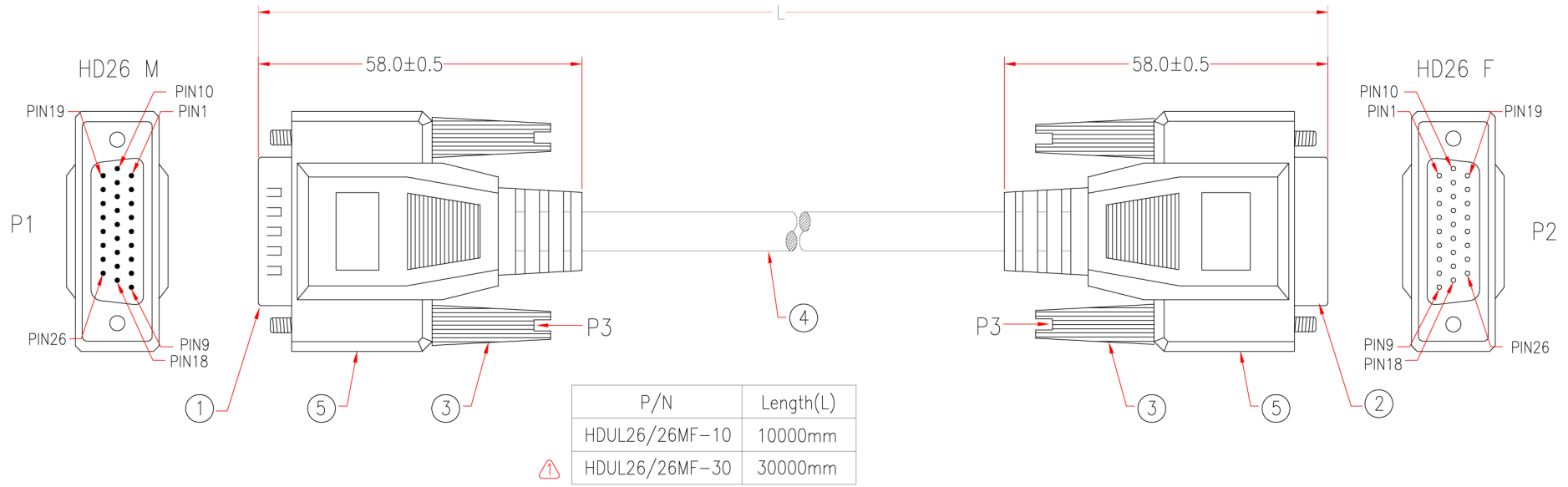


P1.P2	M-Y127A
	M-127B
P3:	M-426E

Customer No: No.1



P/N	Length(L)
HDUL26/26MF-10	10000mm
HDUL26/26MF-30	30000mm

MARKING: E300060 兎 AWM 2464 28AWG 80°C 300V VW-1  
CSA 204790 I/II A 80°C 300V FT1 MSL

3492-3

P1	P2	P1	P2
1	1 BROWN	15	15 RED/BLACK
2	2 RED	16	16 ORANGE/BLACK
3	3 ORANGE	17	17 YELLOW/BLACK
4	4 YELLOW	18	18 GREEN/BLACK
5	5 GREEN	19	19 BLUE/BLACK
6	6 BLUE	20	20 PURPLE/BLACK
7	7 PURPLE	21	21 GRAY/BLACK
8	8 GRAY	22	22 WHITE/BLACK
9	9 WHITE	23	23 PINK/BLACK
10	10 PINK	24	24 LIGHT GREEN/BLACK
11	11 BLACK	25	25 LIGHT BLUE/BLACK
12	12 LIGHT GREEN	26	26 BLACK/WHITE
13	13 LIGHT BLUE	SHELD	SHELD
14	14 BROWN/BLACK		

\*NOTE: ALL relevant materials are complied with RoHS directive

No.	DESCRIPTION	Q'TY	Supplier
5	BLACK PVC TUBE $\phi$ 3.0*22mm	2	M304
	ALUMMINUM FOIL 33*65mm	2	M309
	MOLDED PE COLOR TRANSPARENT		M7777
	MOLDED PVC GREY		M304
4	UL2464 26C 28AWG, ALUM-MYLAR FOIL SHIELDING WITH DRAIN WIRE, OD 7.0mm, JACKET GREY, DRAWING No. EMAL2826C-1436	L-20mm	M304
3	MOLDED THUMBSCREW #4-40, LENGTH 46.5mm, GREY	4	M95
2	HD26 FEMALE, GOLD FLASH ON CONTACTS, BLUE INSULATOR	1	M108
1	HD26 MALE, GOLD FLASH ON CONTACTS, BLUE INSULATOR	1	M108

APPROVED	2018.02.08	Cable Length Unless Other Spec. Tolerances: 0 ~200mm ±10mm 201~1000mm ±20mm 1001 ~1500mm ±25mm 1501~2100mm ±30mm 2100mm↑ ±40mm
CHECKED	陳瑞雯	
DRAWING	XIAO	