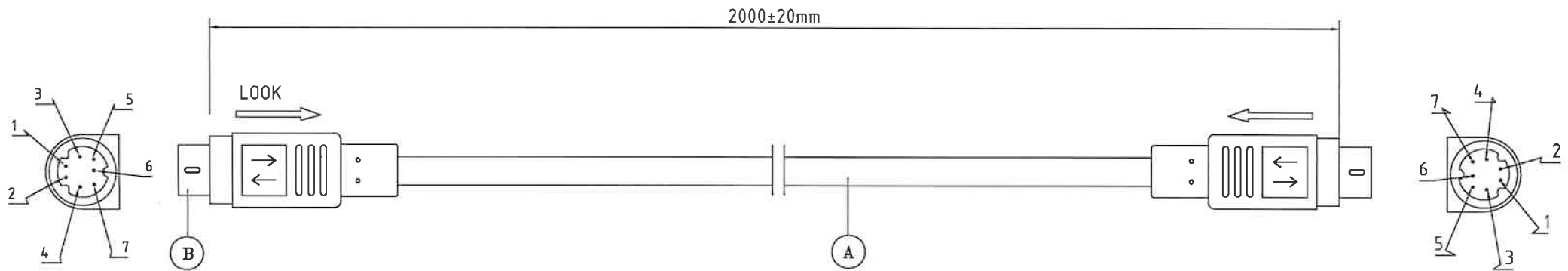


REV.	DATE	FILE No.
1.0	2007-2-13	



WIRING DIAGRAM

7P.MINI DIN MALE	7P.MINI DIN MALE
1-----1	1-----1
2-----2	2-----2
3-----3	3-----3
4-----4	4-----4
5-----5	5-----5
6-----6	6-----6
7-----7	7-----7
SHELL-----SHELL	

SPECIFICATION:

ITEM	PART NAME	MATERIAL	COLOR	QTY.
A	(0.12/7TX7C+0.16/7T+AL)X1C #5MM	P.V.C.	GREY	2M
B	Y/D287 7PIN MINI DIN MALE METAL	P.B.	NICKEL	2
C	MODEL TY228 TYPE	P.V.C	GREY	2

NOTE:ALL MATERIALS ARE RoHS. GREY:S72B

CUSTOMER: DIGGELMANN		MD7/7MM-2
CUST P/N: MD7/7MM-2		
S/O:	S/N:	PART No.:
DRAWING No.		PART NAME: 7P.MD MALE TO 7P.MD MALE(RoHS)
DRAWING BY	LingQi.M	UNLESS OTHERWISE SPECIFIED ALL DIMENSIONS ARE IN MM TOLERANCE:DECIMAL .X ±0.1 .XX ±0.05
CHECKED BY	WenZhan.Z	
APPROVER BY	WenZhan.Z	ANGLE ±1/2°
		SHEET 1 OF 1 SCALE NO