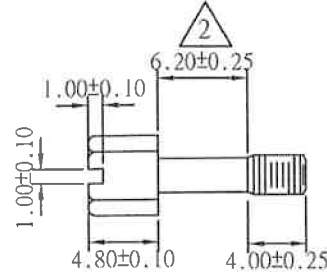
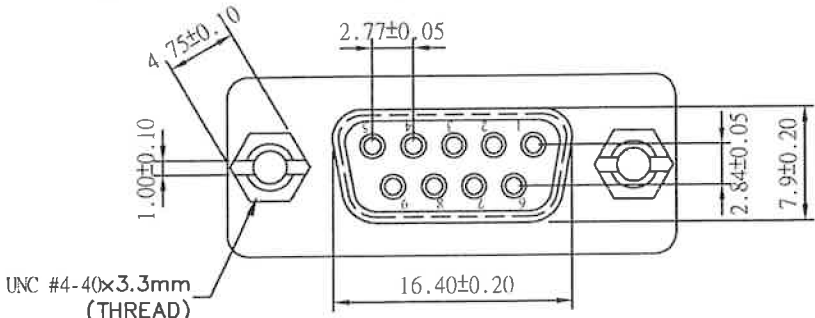
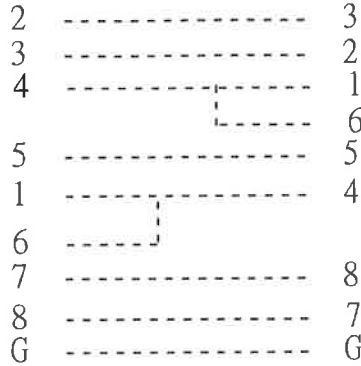


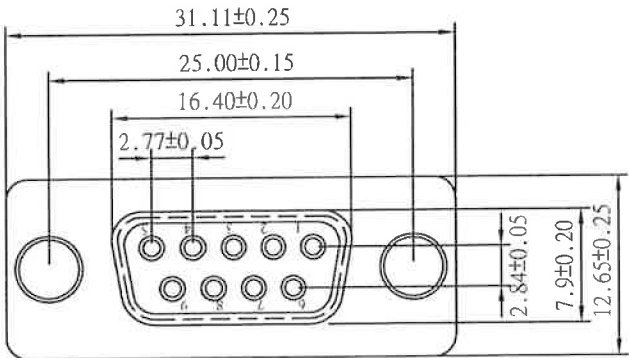
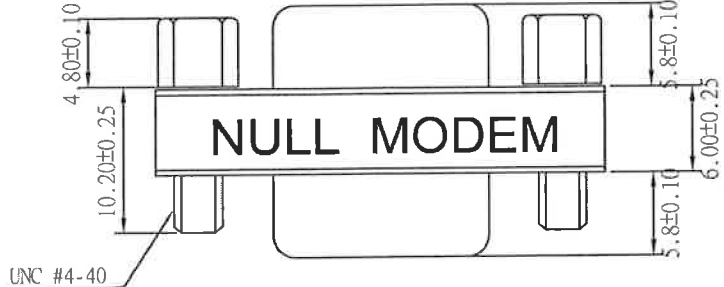
UNC #4-40 Hexscrew



MA 005D (DB9F/F ADAPTOR)  
PIN OUT: 09Female 09Female



Label: Orange color with white character  
One side: NULL MODEM  
The other side: MINI ADAPTER  
SPECIFICATION  
INSULATOR: PBT Glass fibre reinforced UL 94 VO (black)  
CONTACT: Brass  
CONTACT PLATING: Gold plated over nickel  
SHELL: Tin plated shell



				Edition A3					
				SCALE 2:1	UNLESS OTHERWISE SPECIFIED TOLERANCE: 0.1: ±0.20 0.00: ±0.15 0.000: ±0.05	PART NO. MNM09FF		DWG NO.	DATE 2008/04/10
				UNIT mm		DRAWN <i>Fu Hao</i>	CHECKED	APPRD	
Customer	REVISION	DESCRIPTION	DATE	Page 1/1					
	2	修改螺絲(螺絲5.2mm改為6.2mm)	2003/07/02						
	1	修改貼紙(R.O.C. PATENT 105471 改為 MINI ADAPTER)	2002/1/14						