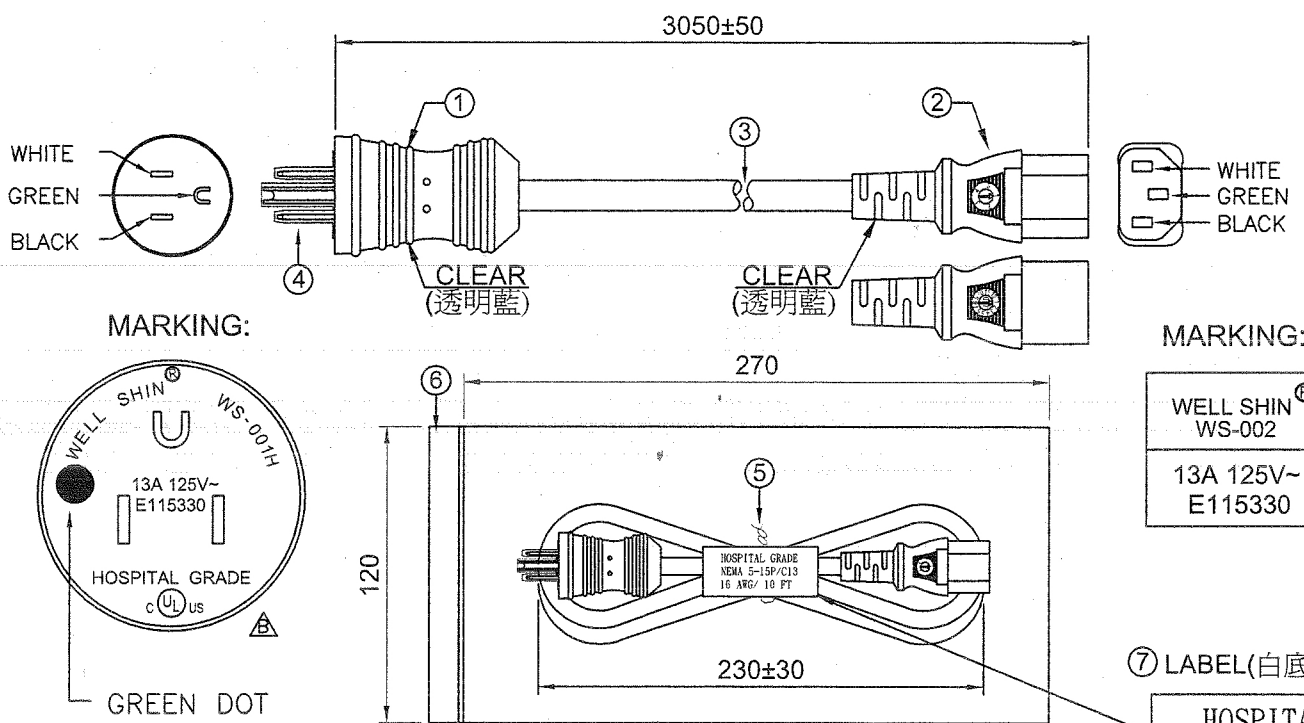


CUSTOMER: P/N: REV. . APPROVED BY:

REVISIONS		
REV.	DESCRIPTION	DATE
△	增加小袋標籤	2014/01/14
△	更新頭部印字	2015/06/18
△		
△		
△		

NOTES:



ITEM	DESCRIPTION	COLOR	QTY
①	WS-001H 13(A) 125(V) APPROVAL: UL,CUL	CLEAR	1
②	WS-002 13(A) 125(V) APPROVAL: UL,CUL	(透明藍)	1
③	SJT 16AWG 3C 105°C APPROVAL: UL,CSA	(GY-H) PANTONE Cool Gray 9C	1
④	保護套(Plastic cap)	WHITE	1
⑤	扎線帶(Cable tie)	WHITE	1
⑥	PE由任袋(PE bag)	---	1
⑦	LABEL	---	1

⑦ LABEL(白底黑字)

HOSPITAL GRADE
NEMA 5-15P/C13
16 AWG/ 10 FT

20

50

字型：標楷體
字寬68 字長35
LABEL於小袋上置中貼合

SIGNATURE		NCUSAH16C13-3G	
ENGINEER BY:			
MANAGER BY:		PRODUCT NO.: 10W1-C161513-10	DATE: 2015/06/18
CHECKED BY:	<i>陳金德</i>	UNIT: mm	SHEET: 1 OF 1
DRAWN BY:	<i>陳金德</i>	DWG NO: B	

