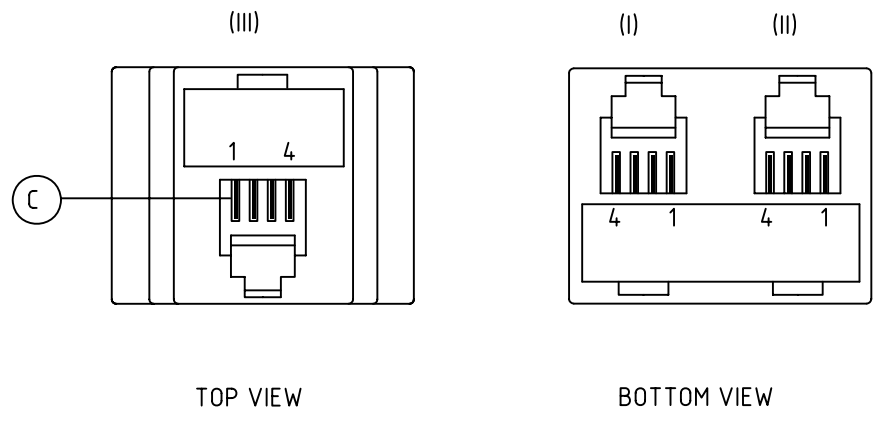
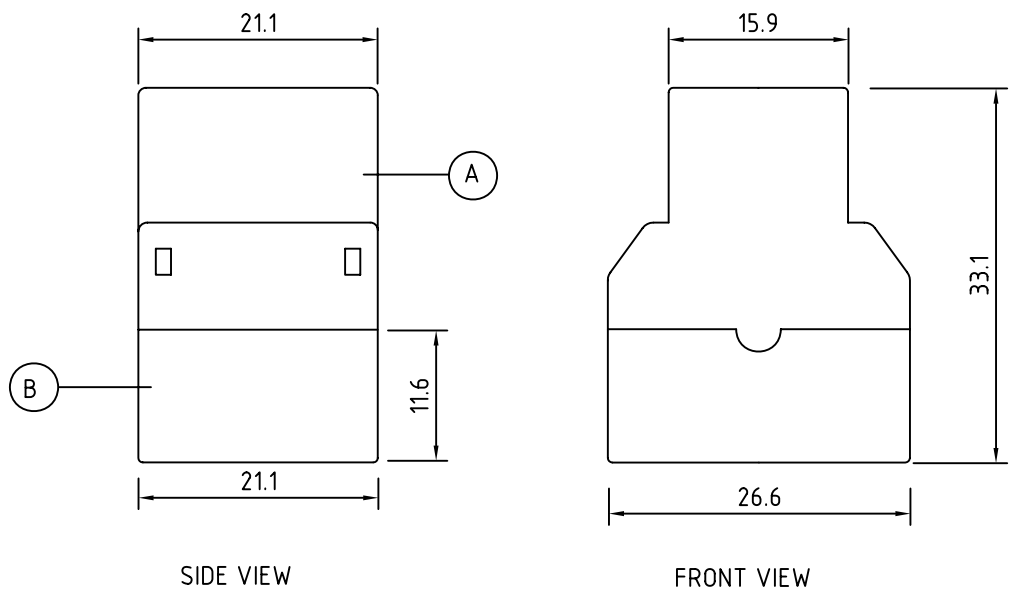


REV.	DATE	FILE No.
1.0	2011-9-1	PA181-4P4C



**SPECIFICATION:**

ITEM	PART NAME	MATERIAL	COLOR	QTY.
A	PA-PL2-44 4P4C FRONT COVER	ABS	BLACK	1
B	PA3-44 4P4C JACK BACK COVER	ABS	BLACK	1
C	3 MIC GOLDEN WIRE FLASH	BRASS	GOLD	12

NOTE: ALL MATERIALS ARE COMPLIANT TO "RoHS".

CUSTOMER: DIGGELMANN			<b>Tai Yip Electrical Co., Ltd.</b>	
CUST P/N: TA311-4BK				
S/O:	S/N:	PART No.: PA181-4P4C/BK		
DRAWING No.	PA-181-06	PART NAME: 4+4X4 TRIPLEX ADAPTER		
DRAWN BY	Lingqi Meng	UNLESS OTHERWISE SPECIFIED ALL DIMENSIONS ARE IN MM TOLERANCE: DECIMAL .X ±0.1 .XX ±0.05 ANGLE ±1/2°		SHEET 1 OF 1 SCALE NO
CHECKED BY	Zhongjiao/Baifa			
APPROVER BY	Chenhan			